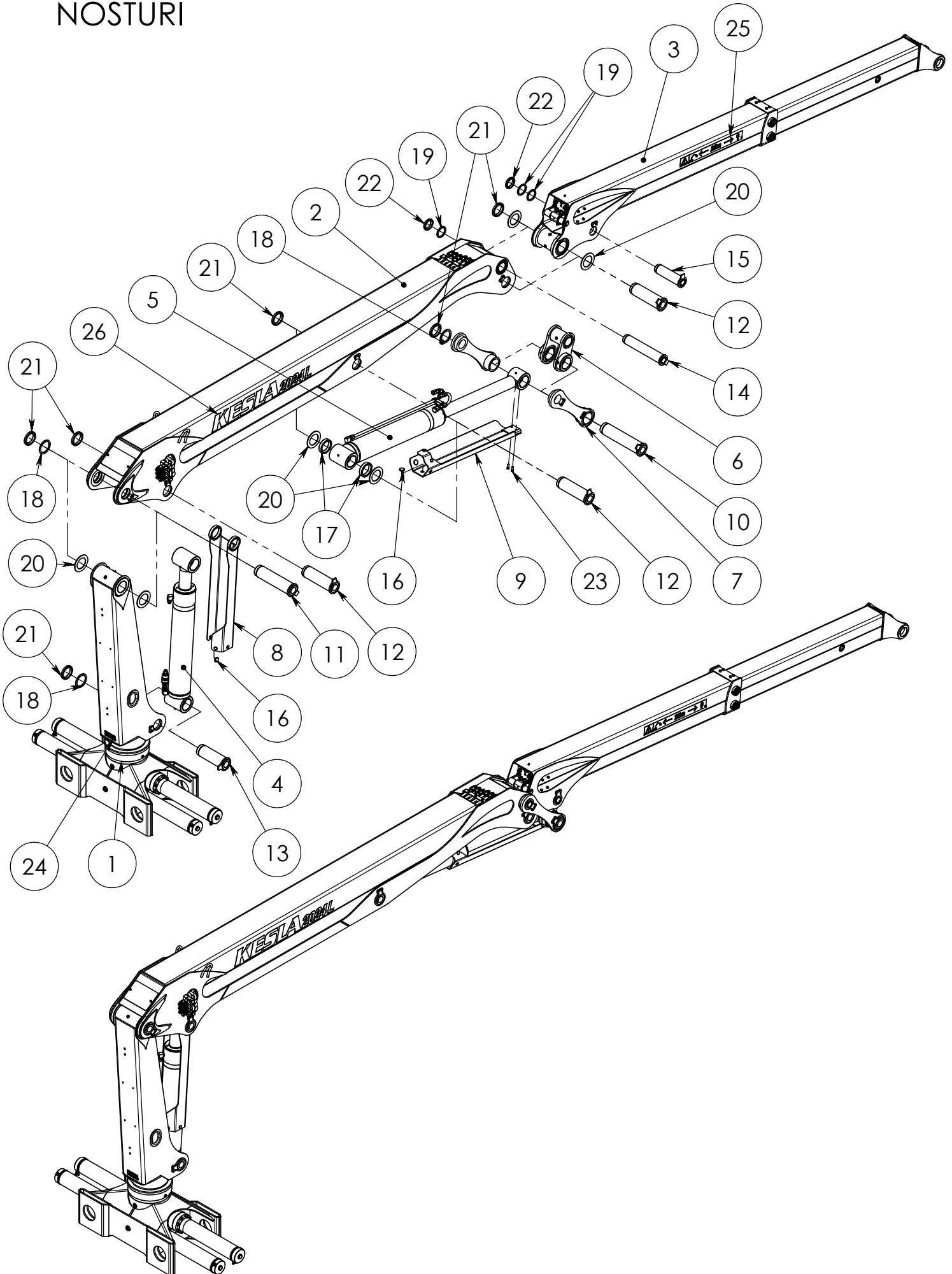


Sisällysluettelo \ Innehållsförteckning \ Contents \ Inhaltsverzeichnis

| | |
|--|----|
| <i>Pääkokoonpano \ Sammansättning \ Final assembly \ Zusammensetzung</i> | 1 |
| <i>Kääntölaite \ Vridanordning \ Slew mechanism \ Schwenkwerk</i> | 3 |
| <i>Nostopuomi \ Lyftbom \ Main lifting boom \ Hubarm</i> | 6 |
| <i>Siirtopuomisto \ Vipparm \ Outer boom \ Knickarm</i> | 8 |
| <i>Nostosylinteri \ Lyftcylinder \ Main lifting cylinder \ Hubzylinder</i> | 10 |
| <i>Siirtosylinteri \ Vippcylinder \ Outer boom cylinder \ Knickarmzylinder</i> | 12 |
| <i>Vetotangon varustelu \ Dragstång \ Inner link assy \ Mittleres Gelenk</i> | 14 |
| <i>Tukijalkavarustus \ Stödbensutrustning \ Stabilizers \ Stützfußausrüstung</i> | 16 |

90000349

NOSTURI

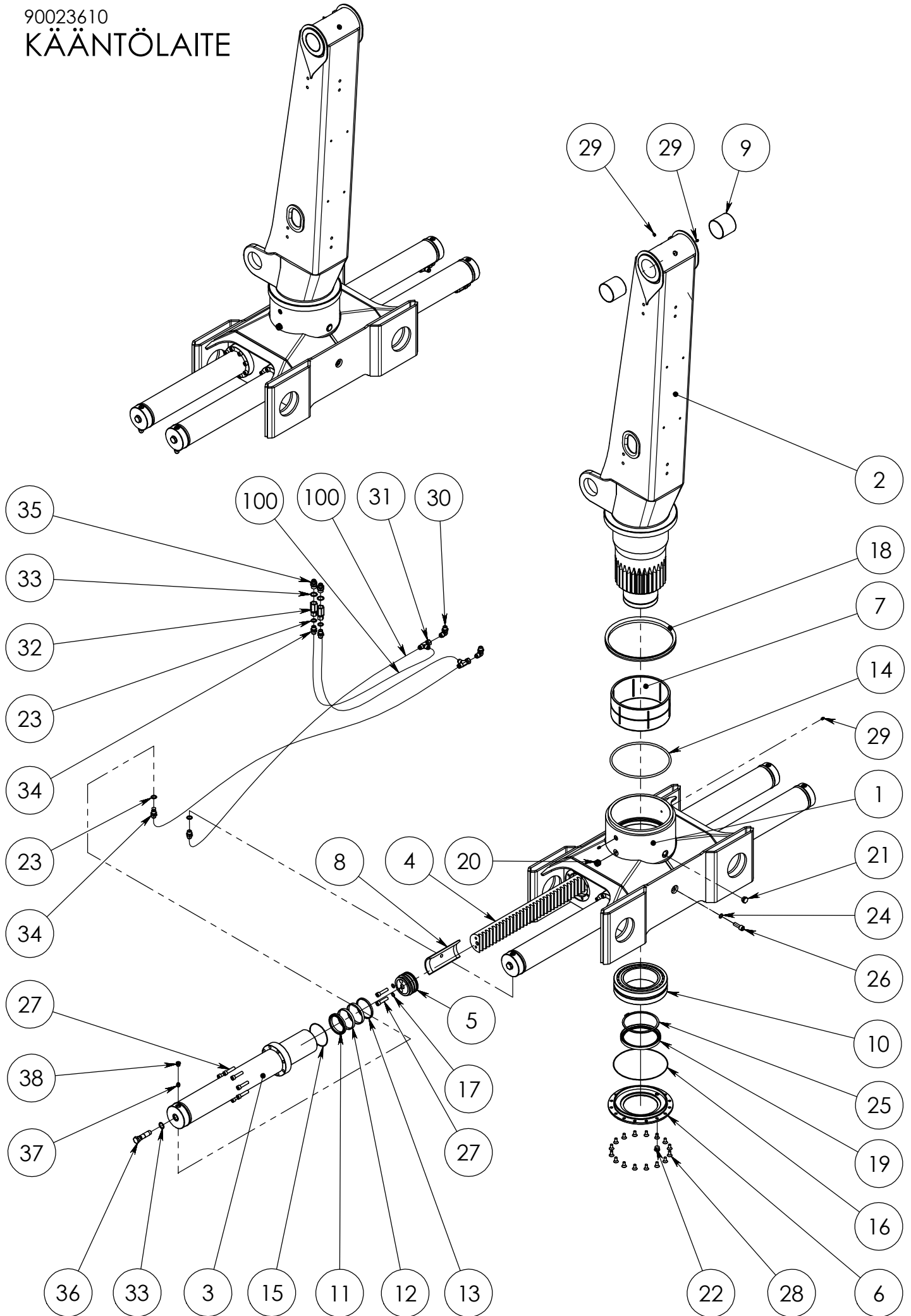


| | | | |
|---------------|--------------|----------|------------|
| Item code | 90000349 | Revision | - |
| Title | CRANE | Date | 11.06.2010 |
| Specification | 2024L 8750MM | | |

| Pos | Item code | Title | Specification | Pc | Nto Weight |
|-----|-----------|-----------------|---|----|------------|
| 1 | 90024068 | SLEW MECHANNISM | 38KNM | 1 | 826.98 |
| 2 | 90023440 | LIFT BOOM | L=4500 CAB/OPEN | 1 | 550.2 |
| 3 | 90023480 | OUTER BOOM | L=4450 1-JATK | 1 | 376.41 |
| 4 | 90023547 | CYLINDER | 160/100X855 VAR | 1 | 171.48 |
| 5 | 90023542 | CYLINDER | 160/100X855 VAR | 1 | 168.44 |
| 6 | 90020495 | DRAW BAR | VAR | 1 | 21.35 |
| 7 | 90020446 | LINK | KON | 2 | 13.73 |
| 8 | 90020586 | COVER | NOSTOSYL | 1 | 19.17 |
| 9 | 90020579 | COVER | SIIRTOSYL. | 1 | 15.9 |
| 10 | 90020454 | AXLE | 100/M95X2-457 HITS | 1 | 19.33 |
| 11 | 90024098 | AXLE | 100/M95X2-417 HITS | 1 | 17.64 |
| 12 | 90020452 | AXLE | 100/M95X2-348 HITS | 3 | 14.75 |
| 13 | 90020451 | AXLE | 100/M95X2-307 HITS | 1 | 12.98 |
| 14 | 90020470 | AXLE | 80-450 HITS | 1 | 12.12 |
| 15 | 90020764 | AXLE | 80/M75X2-300 | 1 | 8.07 |
| 16 | 90013832 | GLIDE PAD | 40-14 | 10 | 0.01 |
| 17 | 90020582 | SLEEVE | 125/100-25 | 2 | 0.86 |
| 18 | 90015230 | WASHER | 125/101-6 | 3 | 0.2 |
| 19 | 90013697 | WASHER | 100/81-6 | 3 | 0.13 |
| 20 | 90010010 | BEARING | 152/100,5 - 5 | 6 | 0.06 |
| 21 | 3020166 | NUT | KM19 NYLOC M95X2 | 6 | 0.54 |
| 22 | 3020158 | NUT | KM15 NYLOC M75X2 | 2 | 0.35 |
| 23 | 3010246 | SCREW | M12X30 8.8 ZN DIN 912 | 2 | 0 |
| 24 | 3280507 | PLATE | MALLI CE (120X45) LIIMATTAVA TUOTEKILPI | 1 | 0.03 |
| 25 | 3281135 | DECAL | VAARA-ALUE 25 M, 730X80 | 2 | 0.1 |
| 26 | 3281491 | DECAL (PRODUCT) | KESLA 2024L | 2 | 0.07 |

90023610

KÄÄNTÖLAITE



| | | | |
|---------------|-----------------|----------|------------|
| Item code | 90023610 | Revision | - |
| Title | SLEW MECHANNISM | Date | 13.05.2010 |
| Specification | 42 KNM VAR | | |

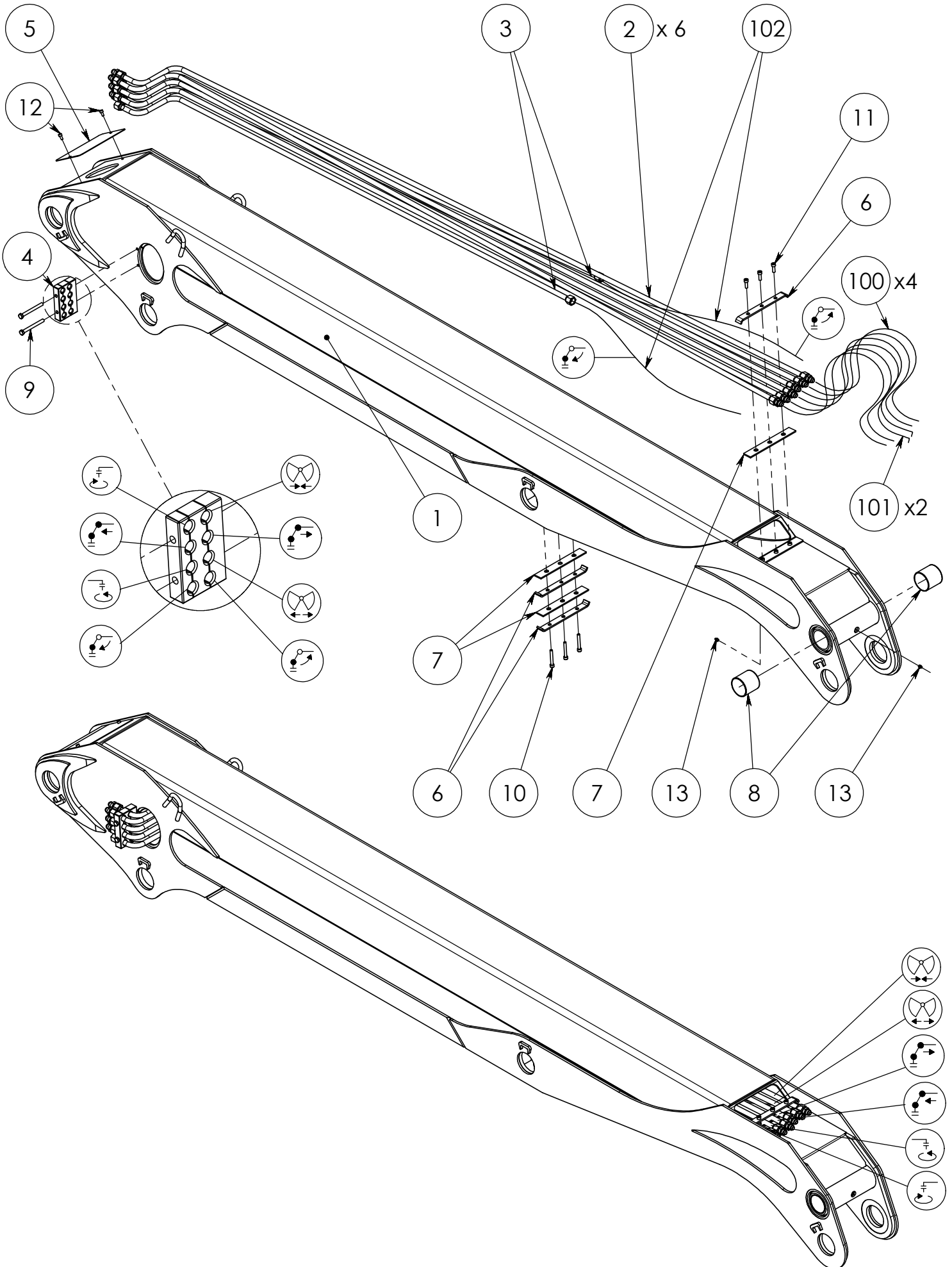
| Pos | Item code | Title | Specification | Pc | Nto Weight |
|-----|-----------|-----------------|-------------------------------|----|------------|
| 1 | 90020672 | SLEW MECHANNISM | RUNKO, VAIHE 2 HITS | 1 | 329.36 |
| 2 | 90023511 | PILLAR | L=1625 | 1 | 421.32 |
| 3 | 90023663 | CYLINDER | | 4 | 27.98 |
| 4 | 90020396 | RACK BAR | 100-1105 | 2 | 44.59 |
| 5 | 90023656 | PISTON | | 4 | 3.87 |
| 6 | 90020387 | FLANGE | | 1 | 5.26 |
| 7 | 90020401 | BEARING | 310/290-140 | 1 | 1.48 |
| 8 | 90020397 | BEARING | 105/127.6-227 | 2 | 0.34 |
| 9 | 3100176 | BEARING | WB 802 10095 | 2 | 0.6 |
| 10 | 3100345 | BEARING | 23036 CC/W33 | 1 | 13 |
| 11 | 3110768 | PISTON SEAL | T18 115/95X13 | 4 | 0.28 |
| 12 | 3110769 | GUIDANCE | E/PWR 115/109X13 | 8 | 0.1 |
| 13 | 3110770 | SEAL | PPW 115/106.4X5.3 | 4 | 0.07 |
| 14 | 3110964 | O-RING | 300x10 70 SHORE | 1 | 0.6 |
| 15 | 3110461 | SEAL | 124.5X3.0 70 SHORE | 4 | 0.02 |
| 16 | 3110785 | SEAL | 280X3.0 70 SHORE | 1 | 0.05 |
| 17 | 3110652 | SEAL | M14 14.7X21.0X1.5 | 8 | 0 |
| 18 | 3110869 | SEAL | VA-350 | 1 | 1.93 |
| 19 | 3110870 | SEAL | 180/210 X 15 DIN 3760 AS | 1 | 0.59 |
| 20 | 3091042 | BREATHER | | 1 | 0.11 |
| 21 | 3090294 | INDICATOR | | 1 | 0.01 |
| 22 | 3090212 | PLUG | | 1 | 0.05 |
| 23 | 3110042 | SEAL | R-08 R 1/2" | 4 | 0.01 |
| 24 | 3110040 | SEAL | R-06 R 3/8" | 2 | 0 |
| 25 | 3060097 | SNAP RING | 180X4 DIN 471 | 1 | 0 |
| 26 | 3010273 | SCREW | M16X45 8.8 DIN 912 | 2 | 0 |
| 27 | 3010601 | SCREW | M14X60 12.9 DIN 912 | 40 | 0 |
| 28 | 3010315 | SCREW | M12X25 10.9 ZN DIN 7991 | 16 | 0 |
| 29 | 3050020 | GREASE NIPPLE | R 1/8" ZN | 4 | 0.01 |
| 30 | 3090288 | CONNECTOR | 1610942 | 2 | 0.18 |
| 31 | 3091234 | CONNECTOR | 1230-10-10-10 | 2 | 0.21 |
| 32 | 3090368 | CONNECTOR | TEMA 500 | 2 | 0.32 |
| 33 | 3110130 | SEAL | R-12 R 3/4" | 6 | 0.01 |
| 34 | 3090917 | CONNECTOR | 26-040010810 R 1/2" -7/8" JIC | 4 | 0.11 |
| 35 | 3090962 | CONNECTOR | 6010-12-10 AV 32 MM | 2 | 0.16 |
| 36 | 90023662 | DAMPER | R 3/4" | 4 | 0.31 |

| | | | |
|---------------|-----------------|----------|------------|
| Item code | 90023610 | Revision | - |
| Title | SLEW MECHANNISM | Date | 13.05.2010 |
| Specification | 42 KNM VAR | | |

| Pos | Item code | Title | Specification | Pc | Nto Weight |
|-----|-----------|----------------|---------------------------------------|----|------------|
| 37 | 3120363 | VALVE | | 4 | 0.02 |
| 38 | 3090210 | PLUG | | 4 | 0.03 |
| 100 | 3132824 | HYDRAULIC HOSE | 5705-10-08/HI-84-08/5754-10-08/L=2100 | 4 | |

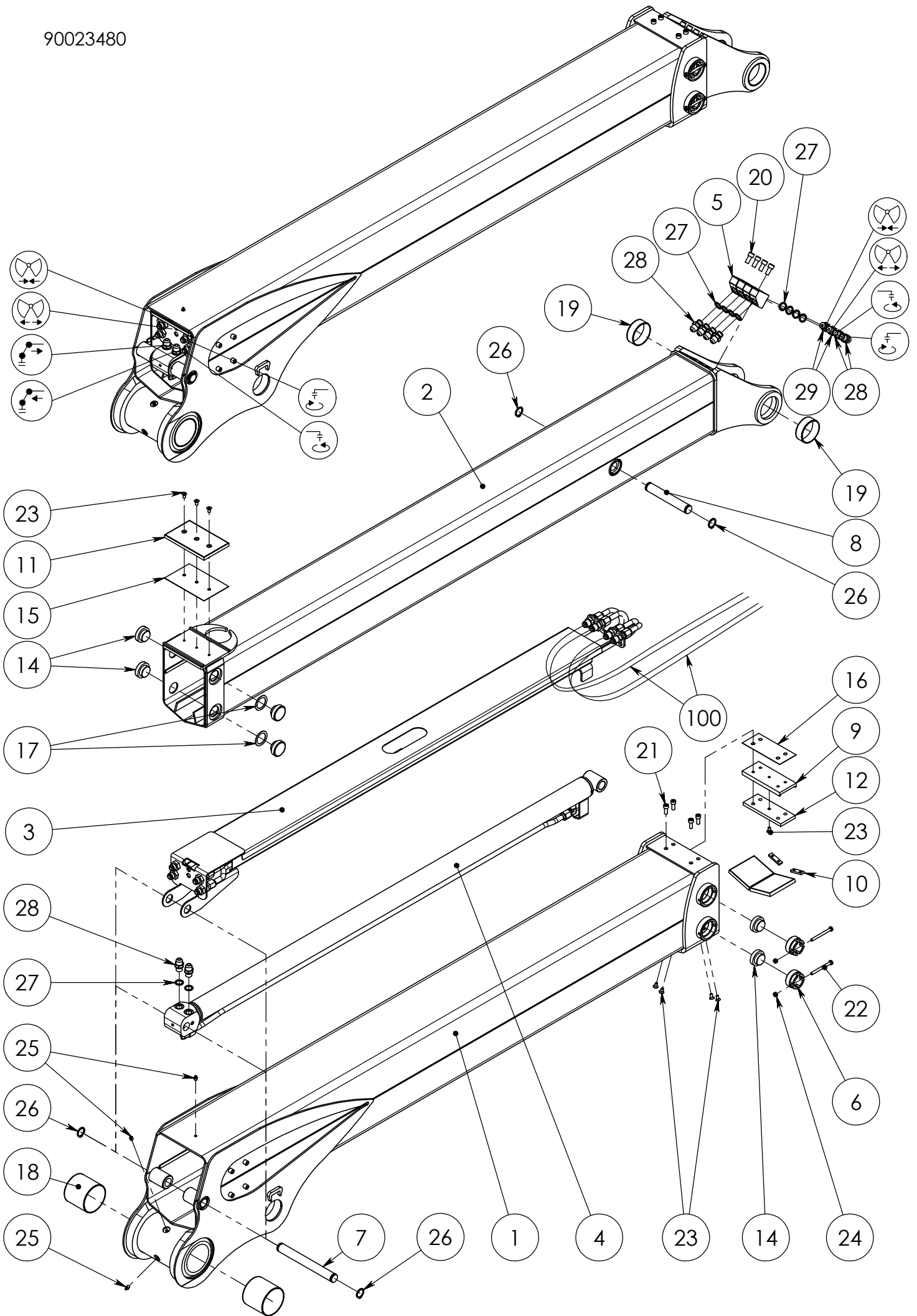
90023440

NOSTOPUOMI



| | | | |
|---------------|-----------------|----------|------------|
| Item code | 90023440 | Revision | - |
| Title | LIFT BOOM | Date | 17.03.2010 |
| Specification | L=4500 CAB/OPEN | | |

| Pos | Item code | Title | Specification | Pc | Nto Weight |
|-----|-----------|----------------|---------------------------------------|----|------------|
| 1 | 90023434 | LIFT BOOM | L=4500 | 1 | 509.17 |
| 2 | 90023436 | HYDRAULIC PIPE | 1 KOK | 6 | 5.01 |
| 3 | 90023438 | HYDRAULIC PIPE | 2 KOK | 2 | 3.46 |
| 4 | 90023439 | FASTENER | | 1 | 1.07 |
| 5 | 90023441 | COVER | | 1 | 0.76 |
| 6 | 90020625 | FASTENER | 6X30-284 | 3 | 0.39 |
| 7 | 90020626 | RUBBER | 5X40-265 | 3 | 0.07 |
| 8 | 3100187 | BEARING | WB 802 8080 | 2 | 0.41 |
| 9 | 3010122 | SCREW | M12X120 8.8 ZN DIN 931 | 2 | 0 |
| 10 | 3010274 | SCREW | M10X70 8.8 ZN DIN 912 | 3 | 0 |
| 11 | 3010248 | SCREW | M10X30 8.8 ZN DIN 912 | 3 | 0 |
| 12 | 3010292 | SCREW | M8X16 8.8 ZN DIN 912 | 2 | 0 |
| 13 | 3050020 | GREASE NIPPLE | R 1/8" ZN | 2 | 0.01 |
| 100 | 3132799 | HYDRAULIC HOSE | 5705-10-08/HI-84-08/5705-10-08/L=1100 | 4 | |
| 101 | 3132800 | HYDRAULIC HOSE | 5705-10-08/HI-84-08/5754-10-08/L=1100 | 2 | |
| 102 | 3132801 | HYDRAULIC HOSE | 5720-12-12/712L-12/5720-12-12/L=1000 | 2 | |

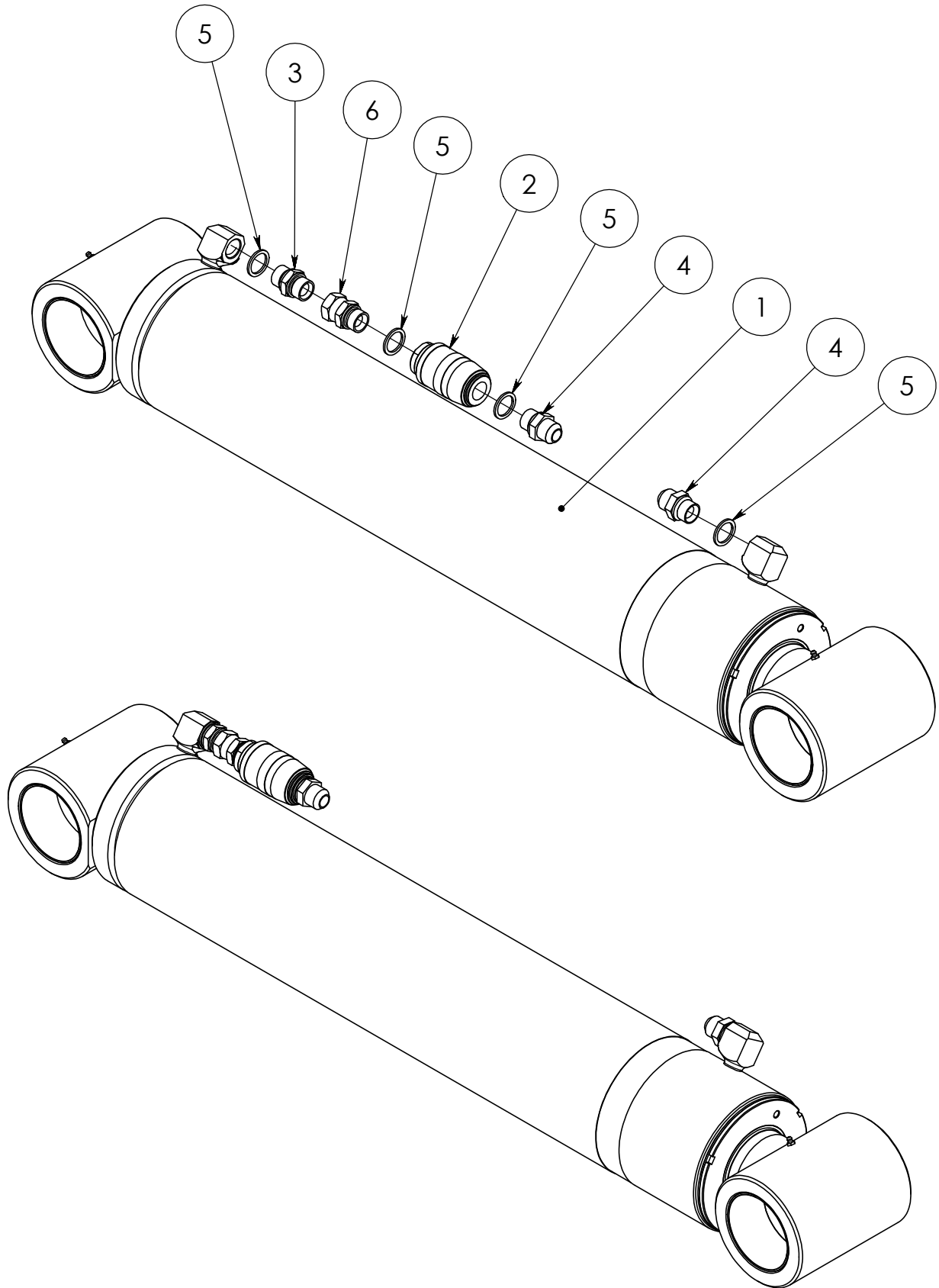


| | | | |
|---------------|---------------|----------|------------|
| Item code | 90023480 | Revision | - |
| Title | OUTER BOOM | Date | 08.04.2010 |
| Specification | L=4450 1-JATK | | |

| Pos | Item code | Title | Specification | Pc | Nto Weight |
|-----|-----------|----------------|--------------------------------------|----|------------|
| 1 | 90023450 | OUTER BOOM | L=2500 | 1 | 195.92 |
| 2 | 90023462 | EXTENSION | L=2700 | 1 | 103.43 |
| 3 | 90023477 | GUIDANCE | LETKUNOHJAIN VAR | 1 | 25.57 |
| 4 | 28764001 | CYLINDER | 63/36X1700 | 1 | 40.22 |
| 5 | 90023481 | CONNECTOR | R 1/2" | 4 | 0.51 |
| 6 | 90016090 | FASTENER | | 4 | 0.35 |
| 7 | 90023478 | AXLE | 30X264 | 1 | 1.46 |
| 8 | 90021934 | AXLE | 30X196 | 1 | 1.08 |
| 9 | 90020556 | FASTENER | L-180 | 1 | 1.18 |
| 10 | 90010345 | HOLDER | | 2 | 0.03 |
| 11 | 90020561 | GLIDE PAD | 120X190 | 1 | 0.31 |
| 12 | 90020563 | GLIDE PAD | 70X180 | 1 | 0.17 |
| 13 | 90020562 | GLIDE PAD | 120X100 | 2 | 0.17 |
| 14 | 90021097 | GLIDE PAD | 40X55-14X12 | 8 | 0.06 |
| 15 | 90020566 | PLATE | 119X190 | 1 | 0 |
| 16 | 90020567 | PLATE | 80X180 | 1 | 0 |
| 17 | 21039422 | SHIM | 1XD=55 | 2 | 0.01 |
| 18 | 3100176 | BEARING | WB 802 10095 | 2 | 0.6 |
| 19 | 3100422 | BUSHING | WB 802 8030 | 2 | 0.15 |
| 20 | 3010239 | SCREW | M12X25 8.8 ZN DIN 912 | 4 | 0 |
| 21 | 3010685 | SCREW | M10X25 8.8 ZN DIN 912 | 4 | 0 |
| 22 | 3010328 | SCREW | M8X90 8.8 ZN DIN 931 | 4 | 0 |
| 23 | 3010190 | SCREW | M8X16 10.9 DIN 7991 | 8 | 0 |
| 24 | 3020001 | NUT | M8 ZN DIN 985 | 4 | 0.01 |
| 25 | 3050020 | GREASE NIPPLE | R 1/8" ZN | 3 | 0.01 |
| 26 | 3060092 | SNAP RING | AS 30X2 ZN DIN 471 | 4 | 0 |
| 27 | 3110042 | SEAL | R-08 R 1/2" | 10 | 0.01 |
| 28 | 3090917 | CONNECTOR | 26-040010810 R 1/2" -7/8" JIC | 8 | 0.11 |
| 29 | 3090965 | CONNECTOR | 6010-08-06 | 2 | 0.09 |
| 100 | 3132798 | HYDRAULIC HOSE | 5705-10-08/241X-08/5705-10-08/L=2800 | 4 | |

90023547

SYLINTERI

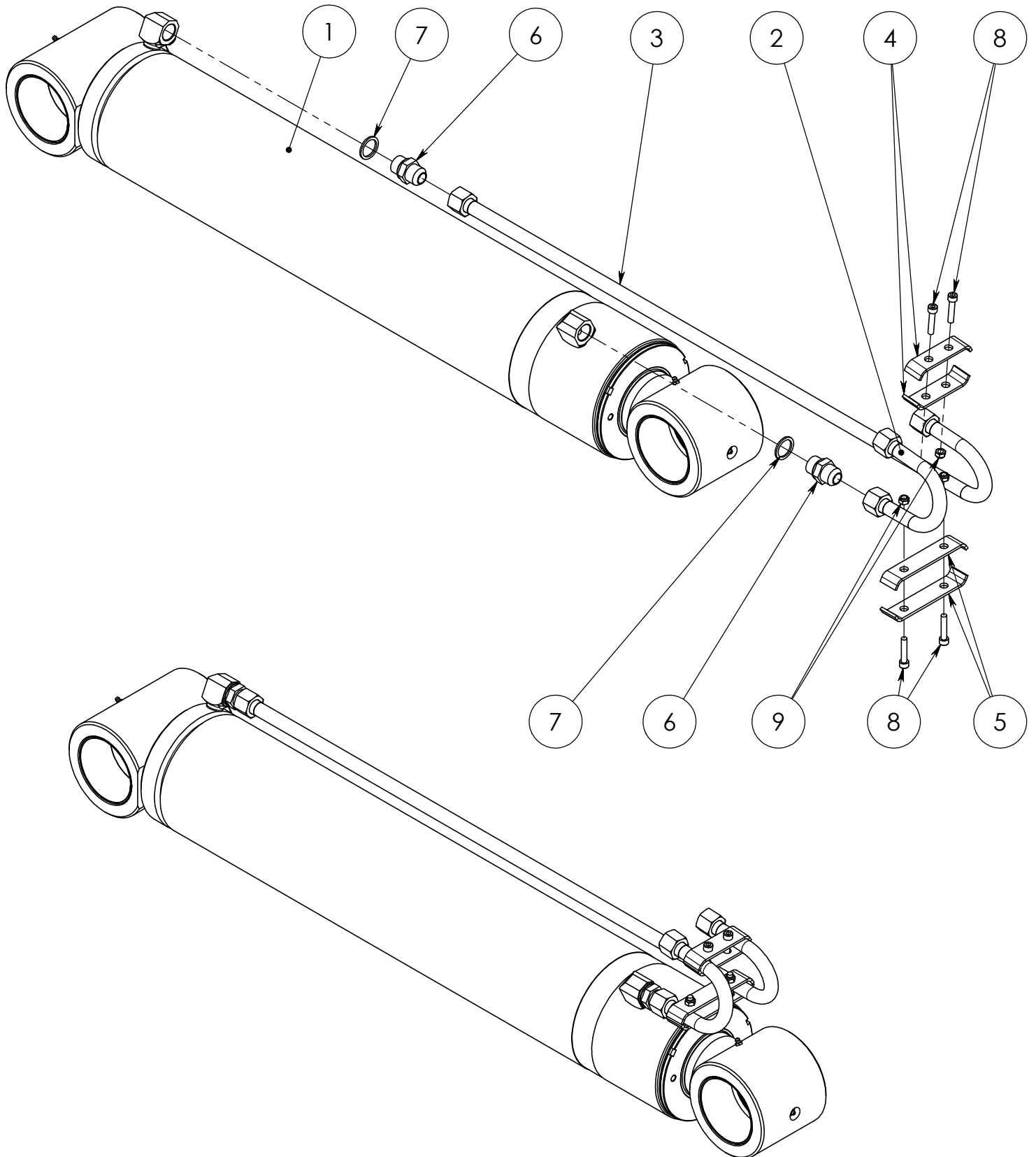


| | | | |
|---------------|-----------------|----------|------------|
| Item code | 90023547 | Revision | - |
| Title | CYLINDER | Date | 29.04.2010 |
| Specification | 160/100X855 VAR | | |

| Pos | Item code | Title | Specification | Pc | Nto Weight |
|-----|-----------|-----------|------------------------------------|----|------------|
| 1 | 28762001 | CYLINDER | 160/100X855 | 1 | 169.55 |
| 2 | 3120235 | VALVE | | 1 | 1.24 |
| 3 | 3090185 | CONNECTOR | 04000-12 | 1 | 0.14 |
| 4 | 3090918 | CONNECTOR | R 3/4" -1 1/16" JIC 26-04001-12-12 | 2 | 0.16 |
| 5 | 3110130 | SEAL | R-12 R 3/4" | 4 | 0.01 |
| 6 | 3090216 | CONNECTOR | 04010-12-12 | 1 | 0.19 |

90023542

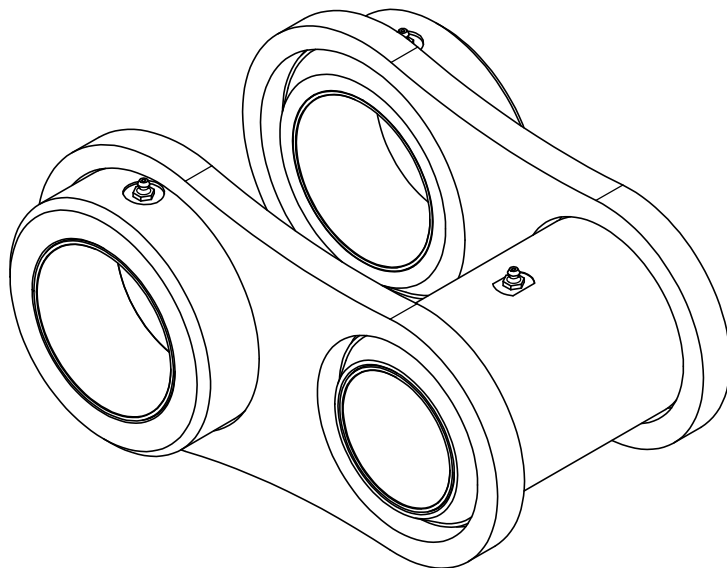
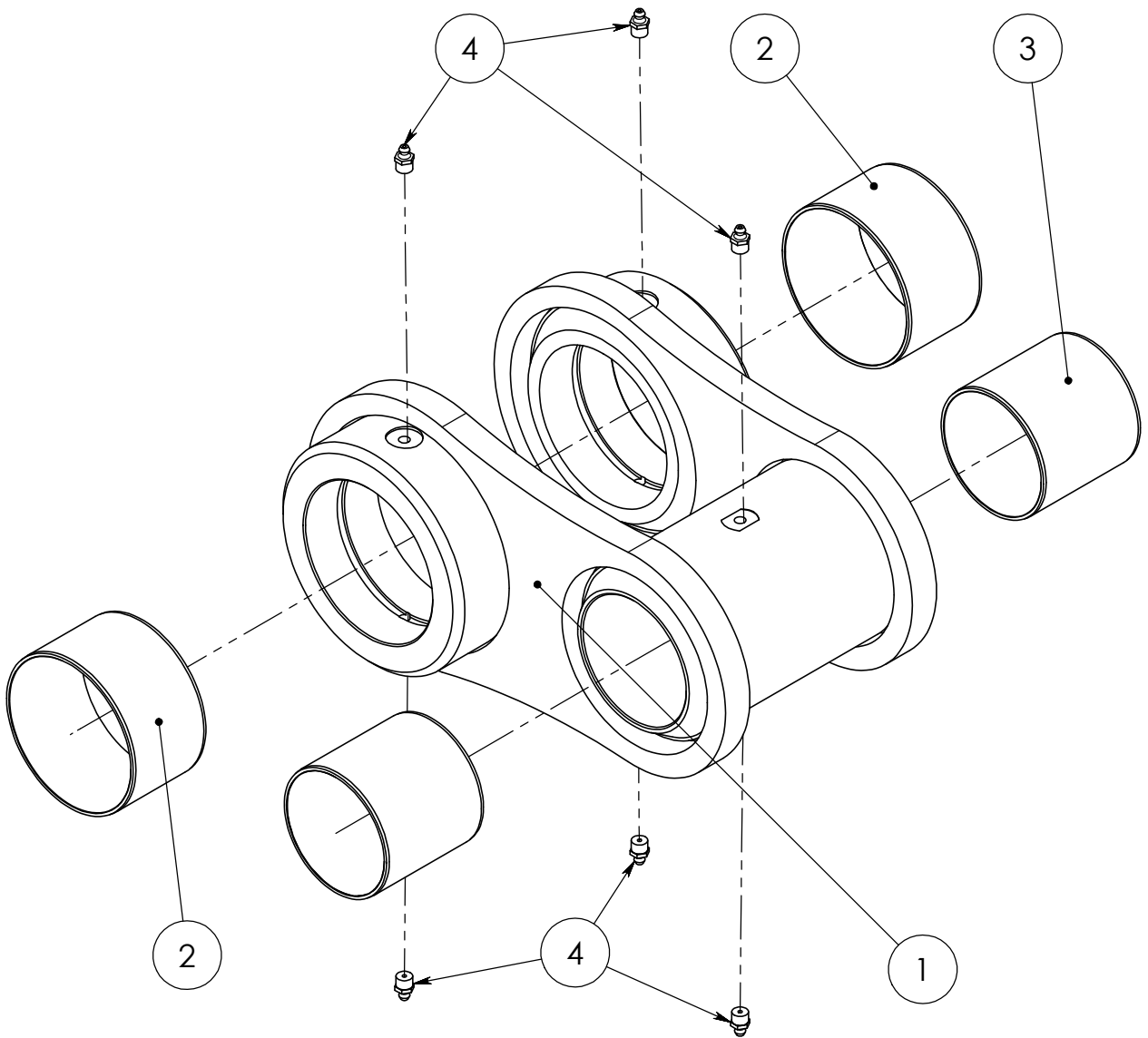
SYLINTERI



| | | | |
|---------------|-----------------|----------|------------|
| Item code | 90023542 | Revision | - |
| Title | CYLINDER | Date | 27.04.2010 |
| Specification | 160/100X855 VAR | | |

| Pos | Item code | Title | Specification | Pc | Nto Weight |
|-----|-----------|----------------|------------------------------------|----|------------|
| 1 | 28763001 | CYLINDER | 160/100X855 | 1 | 164.8 |
| 2 | 90023536 | HYDRAULIC PIPE | 1 KOK | 1 | 0.88 |
| 3 | 90023538 | HYDRAULIC PIPE | 2 KOK | 1 | 1.9 |
| 4 | 90013168 | FASTENER | 4X30-112 | 2 | 0.1 |
| 5 | 90012248 | FASTENER | 4X30-152 | 2 | 0.14 |
| 6 | 3090918 | CONNECTOR | R 3/4" -1 1/16" JIC 26-04001-12-12 | 2 | 0.16 |
| 7 | 3110130 | SEAL | R-12 R 3/4" | 2 | 0.01 |
| 8 | 3010250 | SCREW | M8X40 8.8 ZN DIN 912 | 4 | 0 |
| 9 | 3020001 | NUT | M8 ZN DIN 985 | 4 | 0.01 |

90020495

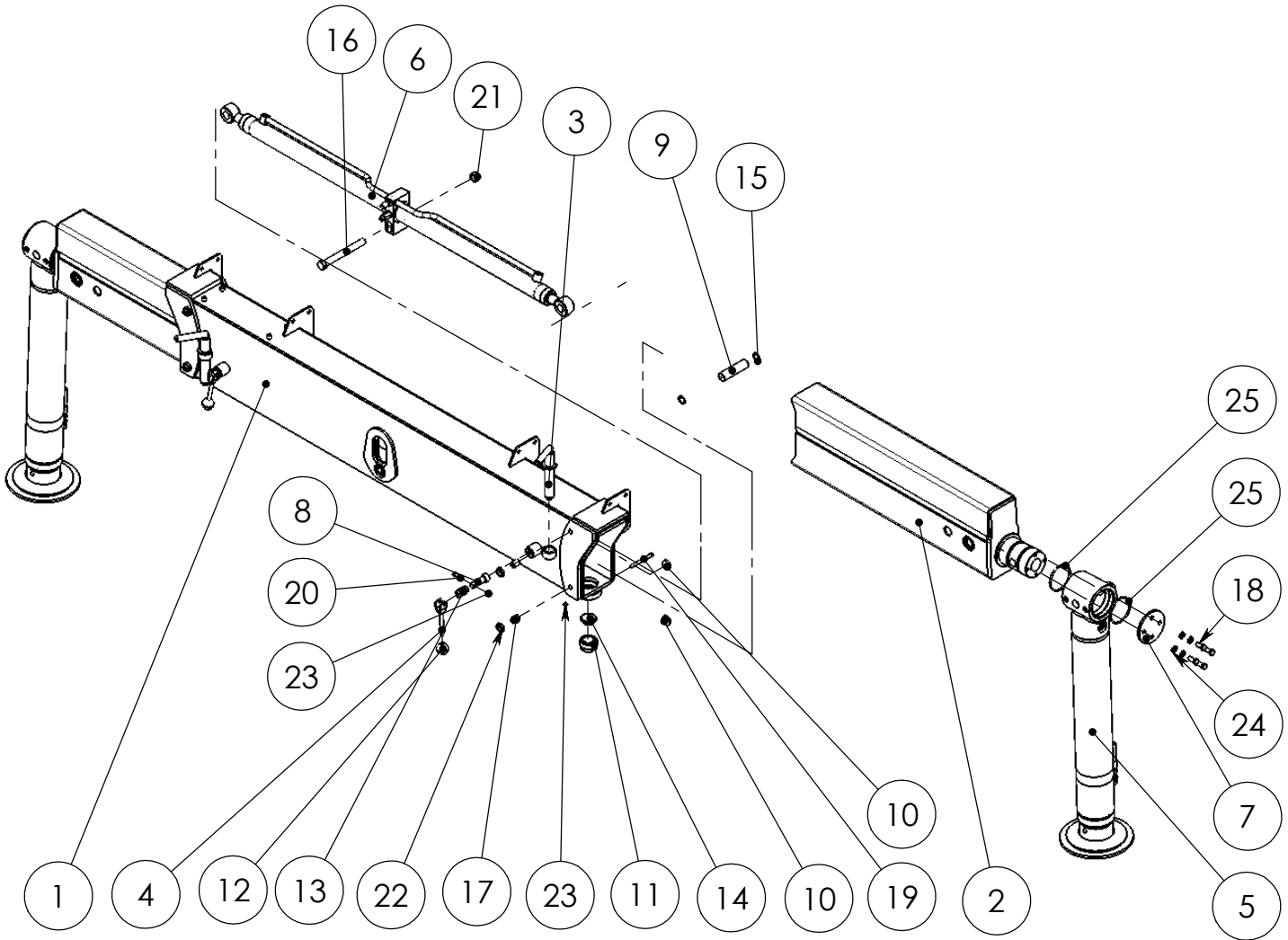


| | | | |
|---------------|----------|----------|------------|
| Item code | 90020495 | Revision | - |
| Title | DRAW BAR | Date | 16.02.2005 |
| Specification | VAR | | |

| Pos | Item code | Title | Specification | Pc | Nto Weight |
|-----|-----------|---------------|---------------|----|------------|
| 1 | 90020437 | DRAW BAR | KONEISTUS | 1 | 19.71 |
| 2 | 3100344 | BEARING | WB 802 10060 | 2 | 0.38 |
| 3 | 3100187 | BEARING | WB 802 8080 | 2 | 0.41 |
| 4 | 3050020 | GREASE NIPPLE | R 1/8" ZN | 6 | 0.01 |

90020806

TUKIJALKA



| | | | |
|---------------|------------|----------|------------|
| Item code | 90020806 | Revision | - |
| Title | STABILIZER | Date | 09.02.2006 |
| Specification | JALKAVAR | | |

| Pos | Item code | Title | Specification | Pc | Nto Weight |
|-----|-----------|-----------|-----------------------------|----|------------|
| 1 | 90020785 | BEAM | HITS | 1 | 157.18 |
| 2 | 90020793 | ARM | HITS | 2 | 52.23 |
| 3 | 90011249 | AXLE | HITS | 2 | 1.43 |
| 4 | 90012844 | LEVER | 10-120 | 2 | 0.16 |
| 5 | 28773001 | CYLINDER | 110/90X600 | 2 | 451.55 |
| 6 | 28812001 | CYLINDER | 50/30X2X600 | 1 | 8.11 |
| 7 | 90011250 | FLANGE | | 2 | 0.73 |
| 8 | 90012843 | SPINDLE | 28/18-76 | 2 | 0.2 |
| 9 | 90020802 | AXLE | 30-122 | 2 | 0.68 |
| 10 | 90020807 | GLIDE PAD | | 4 | 0.01 |
| 11 | 90016090 | FASTENER | | 2 | 0.35 |
| 12 | 3120453 | KNOB | | 2 | 0.25 |
| 13 | 3300533 | SPRING | 18/45/7.6/6.88 -1643 SF-TF3 | 2 | 0.02 |
| 14 | 90011001 | GLIDE PAD | D=55-19/7 | 2 | 0.03 |
| 15 | 3060019 | SNAP RING | 30 DIN 472 | 4 | 0 |
| 16 | 3010672 | SCREW | M20X200 8.8 ZN DIN 931 | 1 | 0 |
| 17 | 3010312 | SCREW | M20X30 10.9 ZN DIN 913 | 4 | 0 |
| 18 | 3010048 | SCREW | M12X30 8.8 ZN DIN 933 | 8 | 0 |
| 19 | 3010447 | SCREW | M8X100 8.8 ZN DIN 931 | 2 | 0 |
| 20 | 3010441 | SCREW | M8X40 8.8 ZN DIN 931 | 2 | 0 |
| 21 | 3020009 | NUT | M20 ZN DIN 985 | 1 | 0.07 |
| 22 | 3020014 | NUT | M20 ZN DIN 936 | 4 | 0 |
| 23 | 3020001 | NUT | M8 ZN DIN 985 | 4 | 0.01 |
| 24 | 3030096 | WASHER | M12 ZN DIN 125 | 8 | 0.01 |
| 25 | 3110934 | SEAL | O 94,5X3 70 SHORE | 4 | 0.02 |